

EURO-BEARINGS LTD

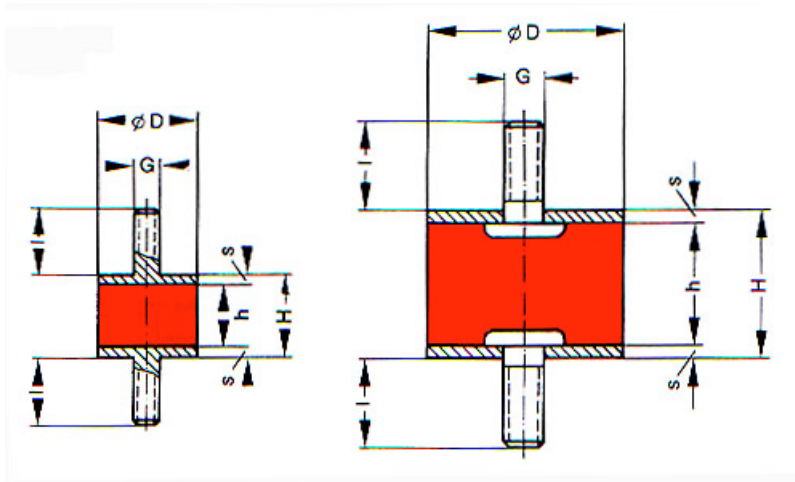


ANTI-VIBRATION MOUNTS

www.euro-bearings.com

Tel. 01908 511733
sales@euro-bearings.com

MALE-MALE BUFFERS (MM)



Anti-vibration buffers with threaded stud both ends. On stock in medium hardness (55-60 shore).

Part Number	D	H	G	I	Max Compression (N)	Old Reference
MM18X8.5	18	8.5	M6	16	340	781040
MM20X15	20	15	M6	20	180	781050
MM25X20	25	20	M6	20	290	781060
MM30X15	30	15	M8	25	420	781070
MM30X20	30	20	M8	25	420	781071
MM30X30	30	30	M8	25	420	781072
MM40X30	40	30	M8	25	750	781080
MM40X40	40	40	M8	25	750	781081
MM50X20	50	20	M10	30	1170	781090 S1
MM50X25	50	25	M10	30	1170	781090*
MM50X30	50	30	M10	30	1170	781091
MM50X40	50	40	M10	30	1170	781092
MM50X45	50	45	M10	30	1170	781112
MM75X25	75	25	M12	40	2650	781100
MM75X55	75	55	M12	40	2650	781102
MM100X60	100	60	M16	47	4710	781111

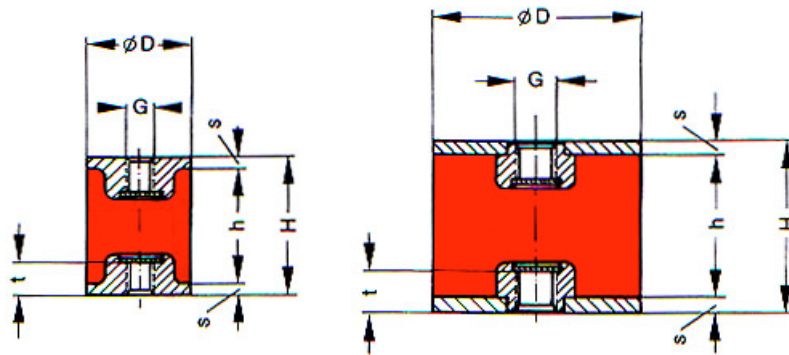
*slight dimensional differences between old & new

www.euro-bearings.com

Tel. 01908 511733

EURO-BEARINGS LTD

FEMALE-FEMALE BUFFERS (FF)



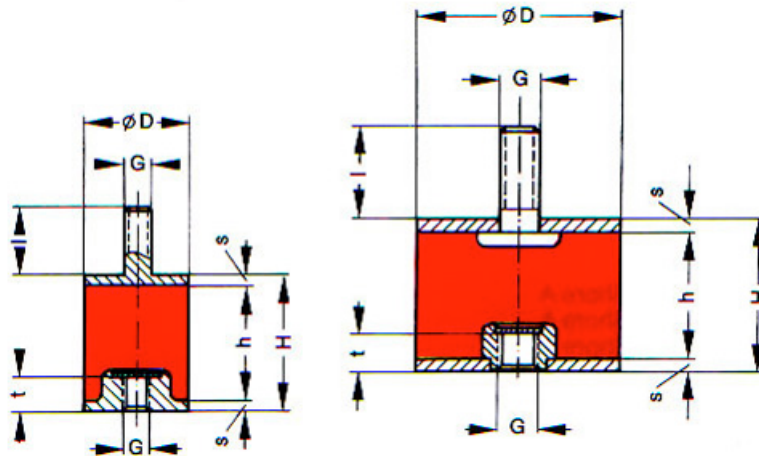
Anti-vibration buffers with female thread both ends. On stock in medium hardness (55-60 shore).

Part Number	D	H	G	t	Max Compression (N)	Old Reference
FF20X25	20	25	M6	6	180	781054
FF30X30	30	30	M8	7	420	781074
FF40X30	40	30	M8	7	750	781084
FF40X40	40	40	M8	7	750	781085
FF50X30	50	30	M10	7	1170	781094 S1
FF50X40	50	40	M10	7	1170	781094
FF75X50	75	50	M12	10	2650	781104
FF100X60	100	60	M16	16	4710	781114
FF150X75	150	75	M20	18	10600	781124

www.euro-bearings.com
Tel. 01908 511733

EURO-BEARINGS LTD

MALE-FEMALE BUFFERS (MF)



Anti-vibration buffers with threaded stud one end and female thread the other end. On stock in medium hardness (55-60 shore).

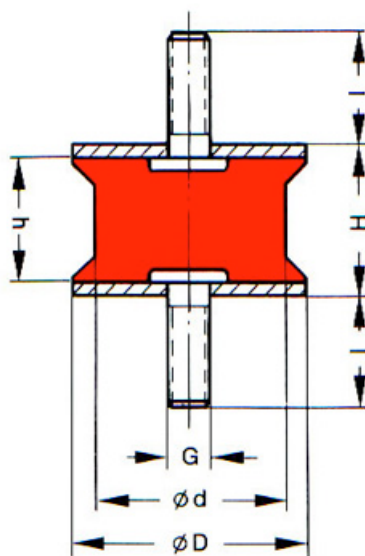
Part Number	D	H	G	I	t	Max Compression (N)	Old Reference
MF20X25	20	25	M6	20	6	180	781057
MF25X20	25	20	M6	20	6	290	781067
MF30X20	30	20	M8	25	7	420	781079
MF30X30	30	30	M8	25	7	420	781077
MF30X40	30	40	M8	25	7	420	781078
MF40X30	40	30	M8	25	7	750	781087
MF40X40	40	40	M8	25	7	750	781088
MF50X40	50	40	M10	30	7	1170	781097
MF75X50	75	50	M12	40	10	2650	781107
MF100X40	100	40	M16	47	16	4710	781117

www.euro-bearings.com

Tel. 01908 511733

EURO-BEARINGS LTD

MALE-MALE WAISTED BUFFERS (MW)



Anti-vibration buffers with threaded stud both ends. On stock in medium hardness (55-60 shore).

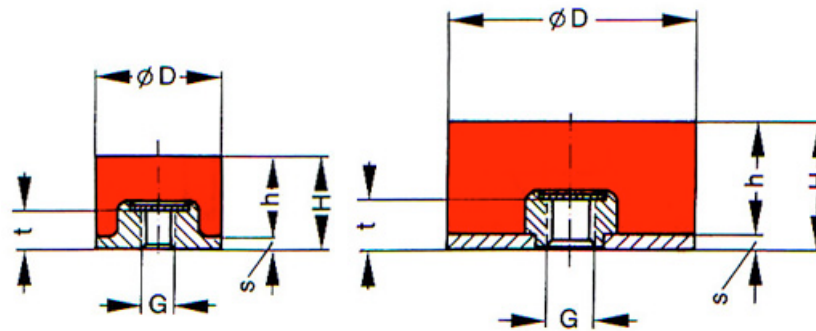
Part Number	D	H	G	I	Max Compression (N)	Old Reference
MW25.5X22	25.5	22	M8	16	340	781146
MW60X60	60	60	M10	20	180	781150

www.euro-bearings.com

Tel. 01908 511733

EURO-BEARINGS LTD

FEMALE BUMPERS (FB)



Anti-vibration buffers with female thread one end. On stock in medium hardness (55-60 shore).

Part Number	D	H	G	t	Max Compression (N)	Old Reference
FB20X15	20	15	M6	6	180	781056*
FB30X20	30	20	M8	7	420	781076*
FB40X30	40	30	M8	7	750	781086*
FB50X20	50	20	M10	7	1170	781096*
FB75X25	75	25	M12	10	2650	781106
FB100X40	100	40	M16	16	4710	781116

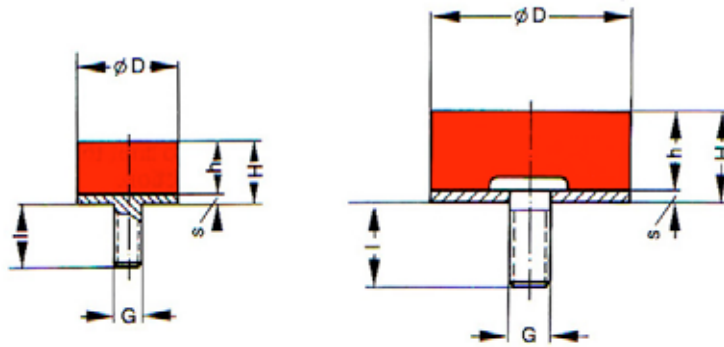
*slight dimensional differences between old & new

www.euro-bearings.com

Tel. 01908 511733

EURO-BEARINGS LTD

MALE BUMPERS (MB)



Anti-vibration buffers with threaded stud one side. On stock in medium hardness (55-60 shore).

Part Number	D	H	G	I	Max Compression (N)	Old Reference
MB18X7.5	18	7.5	M6	20	240	781043
MB20X13.5	20	13.5	M6	20	180	781053
MB25X17	25	17	M6	20	290	781063
MB30X20	30	20	M8	25	420	781073*
MB40X30	40	30	M8	25	750	781083*
MB50X20	50	20	M10	30	1170	781093*
MB75X25	75	25	M12	40	2650	781103
MB100X40	100	40	M16	47	4710	781113

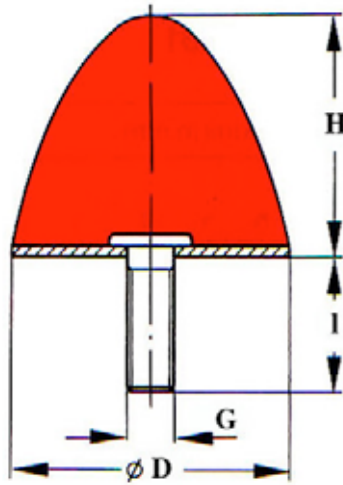
*slight dimensional differences between old & new

www.euro-bearings.com

Tel. 01908 511733

EURO-BEARINGS LTD

MALE CONICAL BUMPERS (MCB)



Anti-vibration buffers with threaded stud one side. On stock in medium hardness (55-60 shore).

Part Number	D	H	G	I	Max Compression (N)	Old Reference
MCB50X61	50	61	M8	25	660	781279
MCB50X67	50	67	M8	24	660	781280
MCB100X80	100	80	M16	47	1990	781278*

*slight dimensional differences between old & new

www.euro-bearings.com

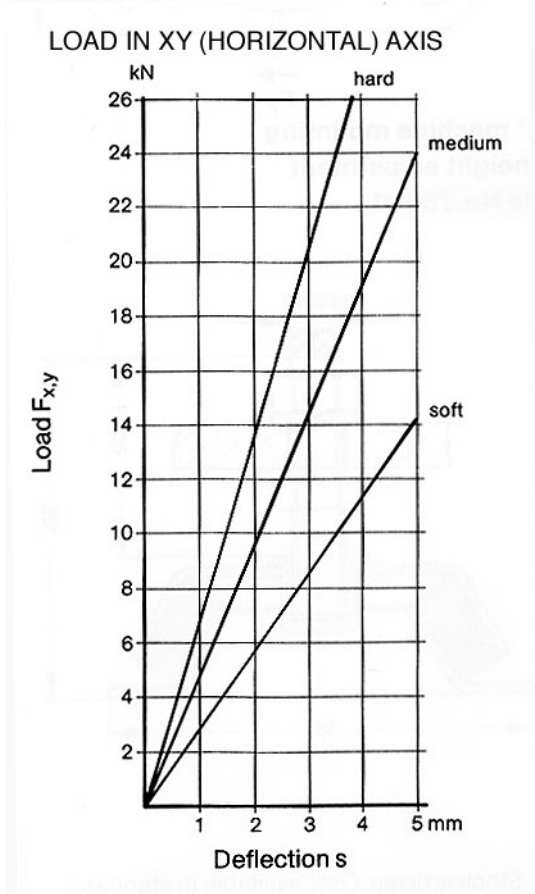
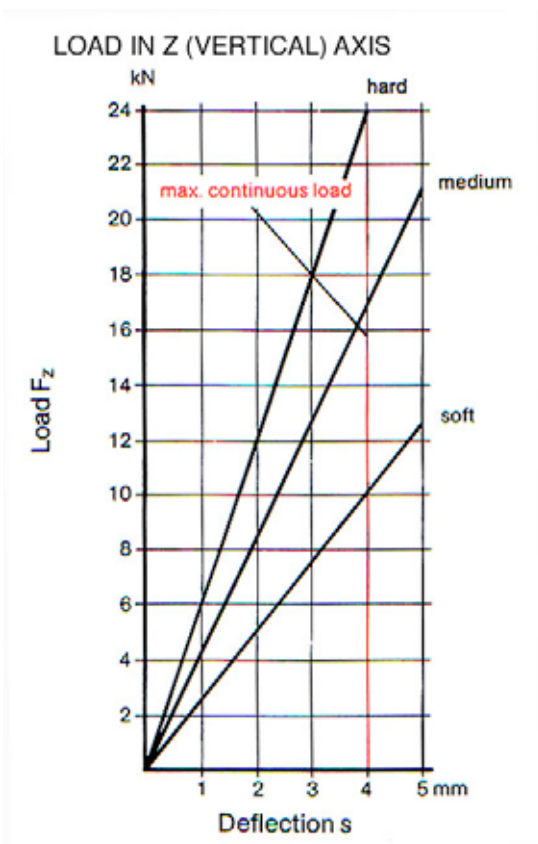
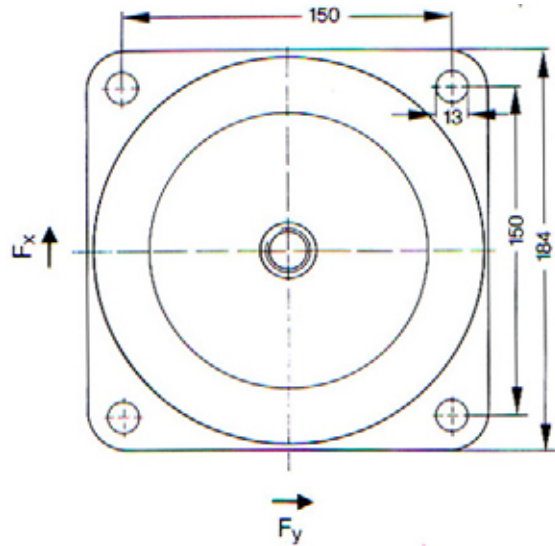
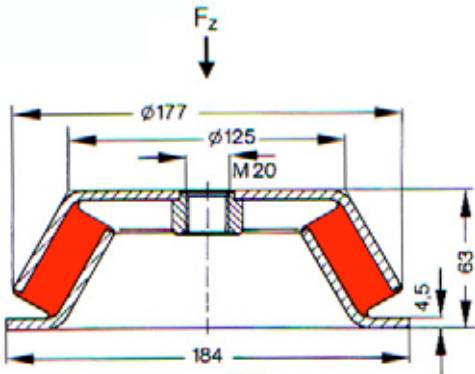
Tel. 01908 511733

EURO-BEARINGS LTD

MACHINE MOUNTS

Anti-vibration mounts - designed for mounting machines, engines & pumps. Mounting holes in base plate & a threaded hole in the top.
On stock in medium hardness (55-60 shore)

786010



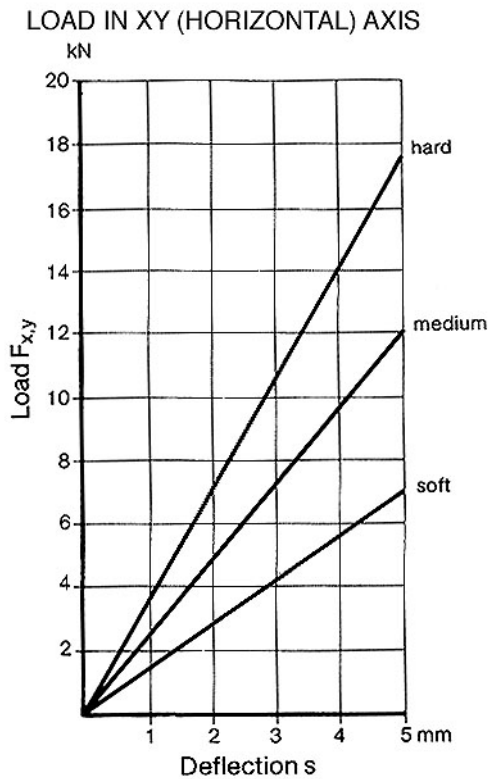
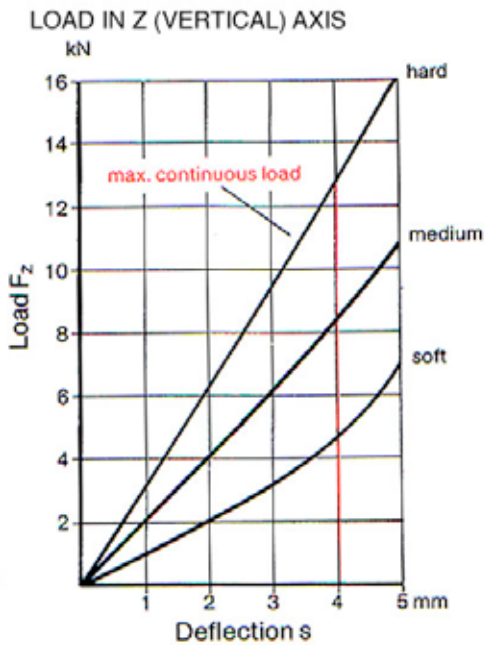
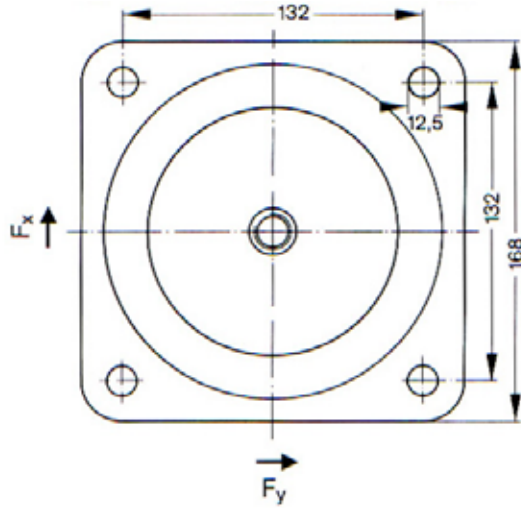
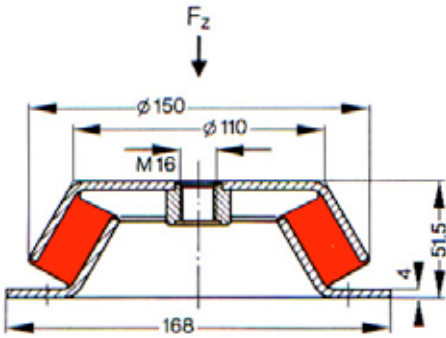
www.euro-bearings.com

Tel. 01908 511733

EURO-BEARINGS LTD

MACHINE MOUNTS (cont'd)

786011



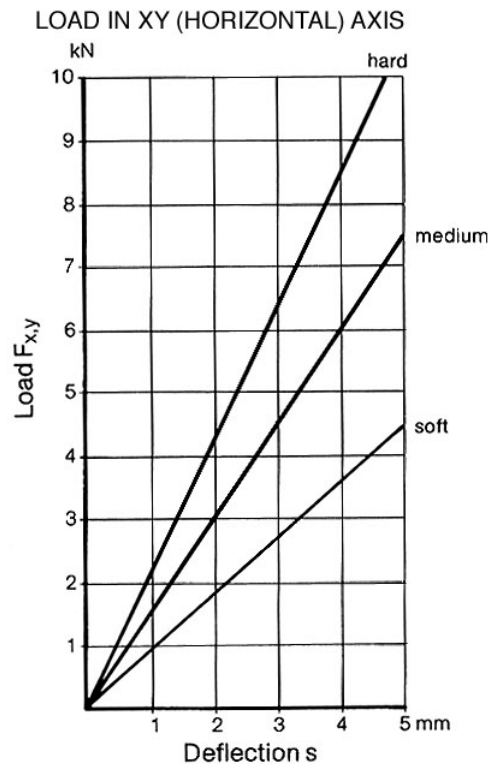
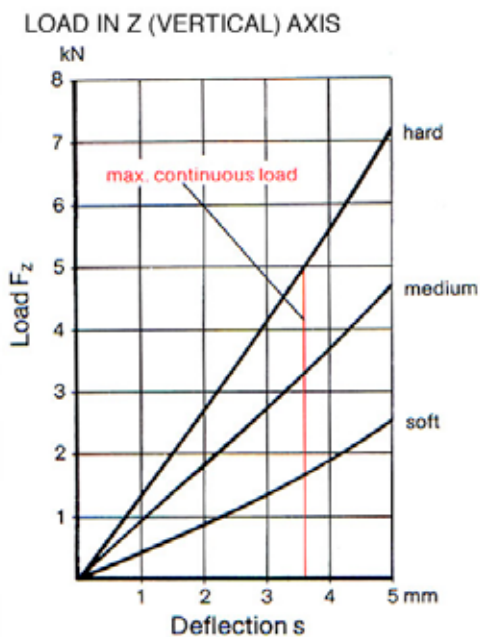
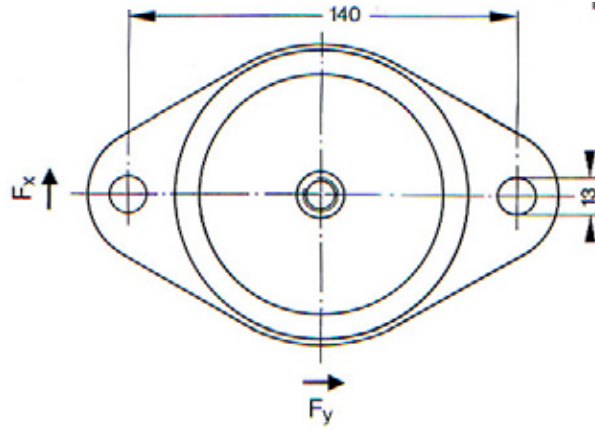
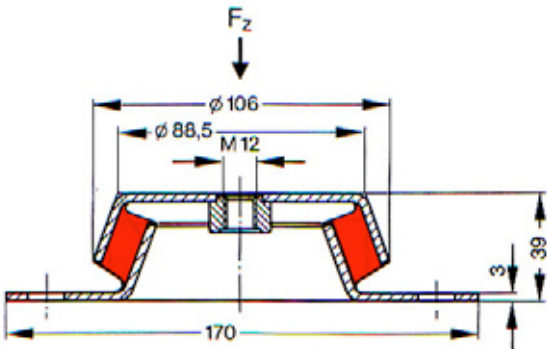
www.euro-bearings.com

Tel. 01908 511733

EURO-BEARINGS LTD

MACHINE MOUNTS (cont'd)

786013



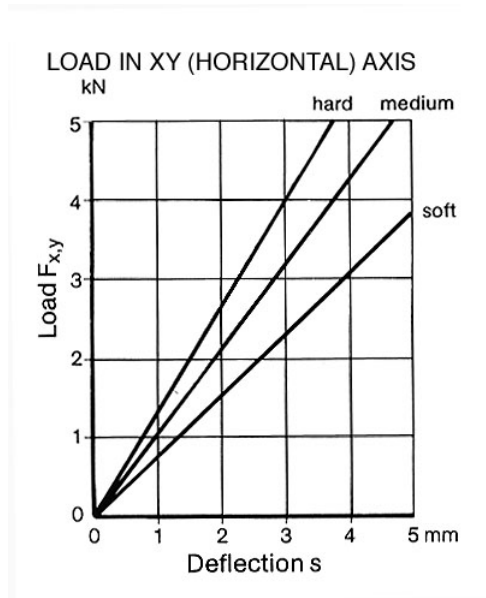
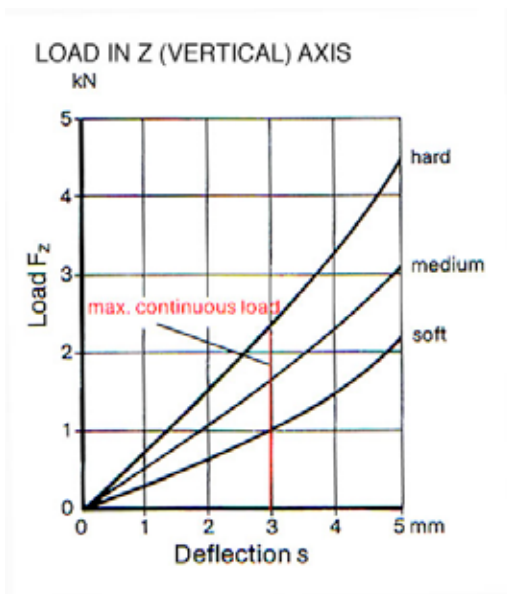
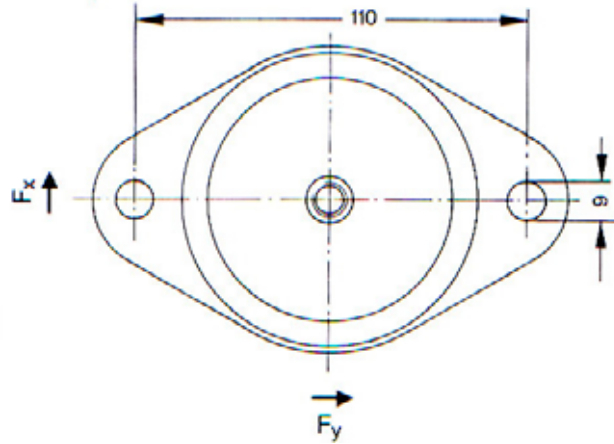
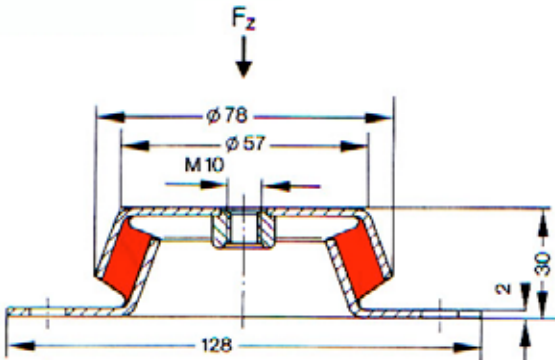
www.euro-bearings.com

Tel. 01908 511733

EURO-BEARINGS LTD

MACHINE MOUNTS (cont'd)

786014



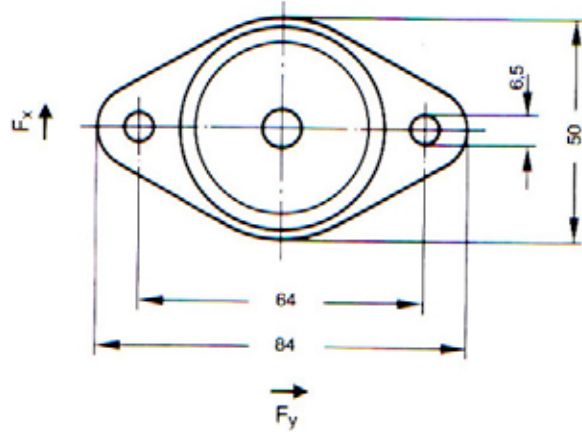
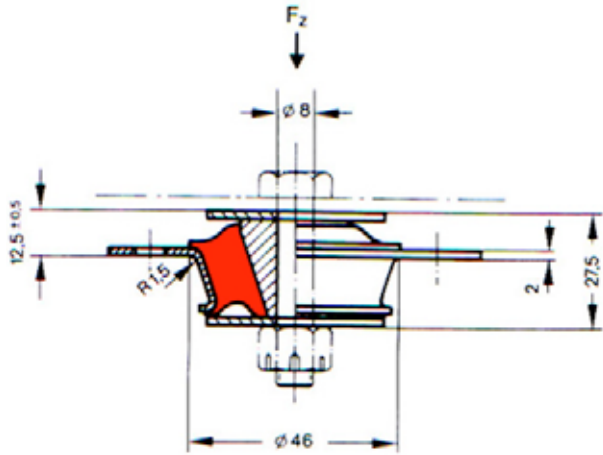
www.euro-bearings.com

Tel. 01908 511733

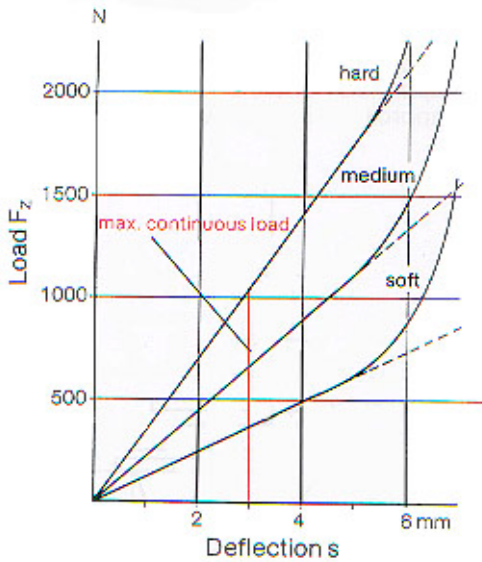
EURO-BEARINGS LTD

CONE MOUNTS

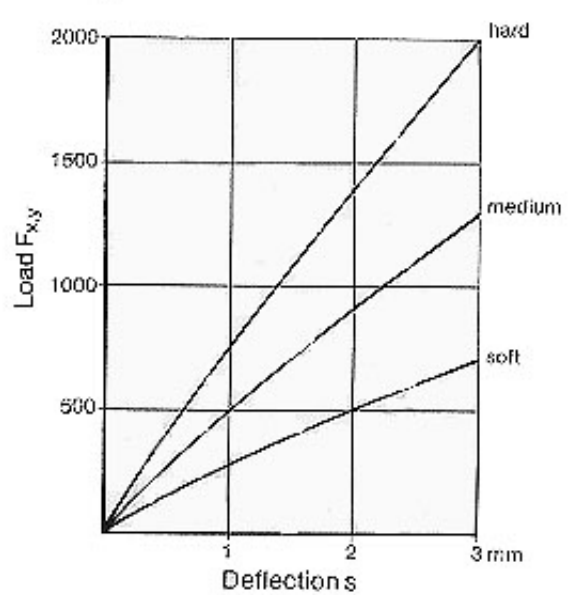
786021



LOAD IN Z (VERTICAL) AXIS



LOAD IN XY (HORIZONTAL) AXIS



Permissible continuous static load F_z zul.
hard 2200 N. medium 1400 N. soft 800 N

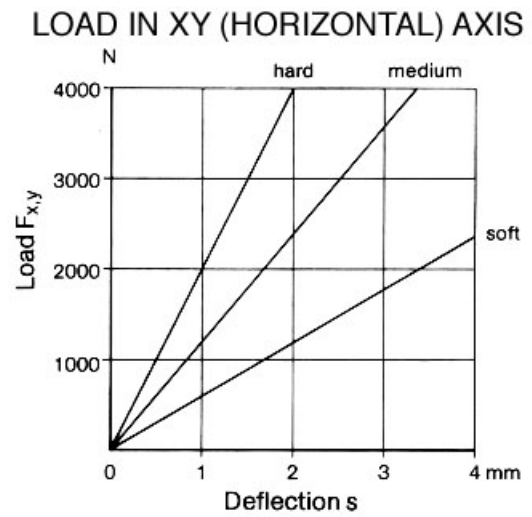
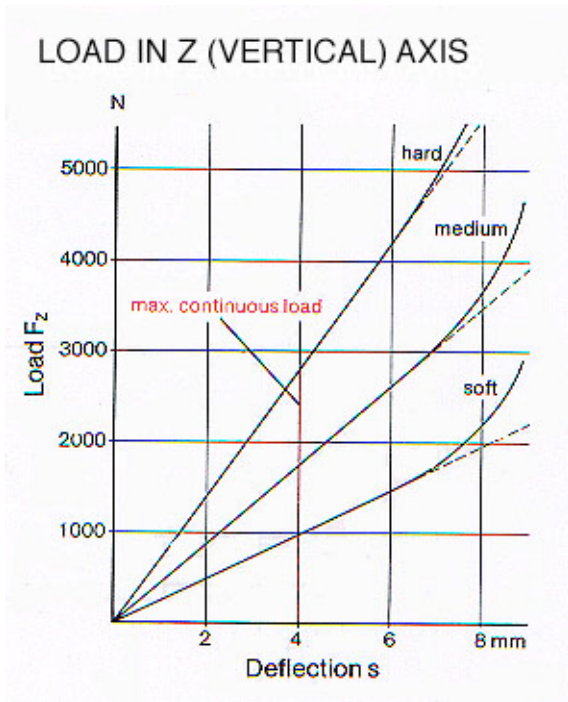
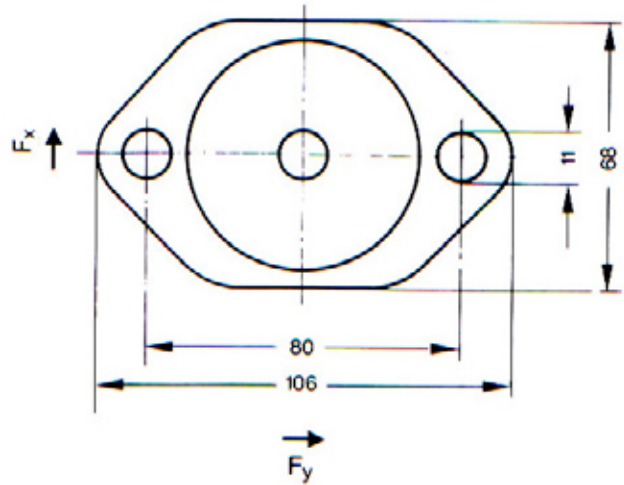
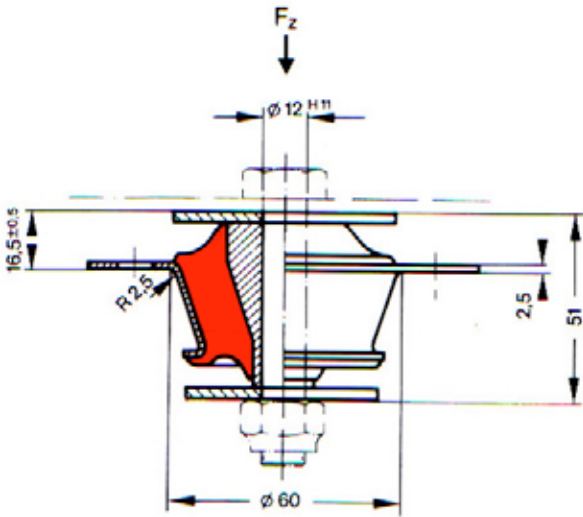
www.euro-bearings.com

Tel. 01908 511733

EURO-BEARINGS LTD

CONE MOUNTS

786025



Permissible continuous static load F_z zul.
 hard 2200 N. medium 1400 N. soft 800 N

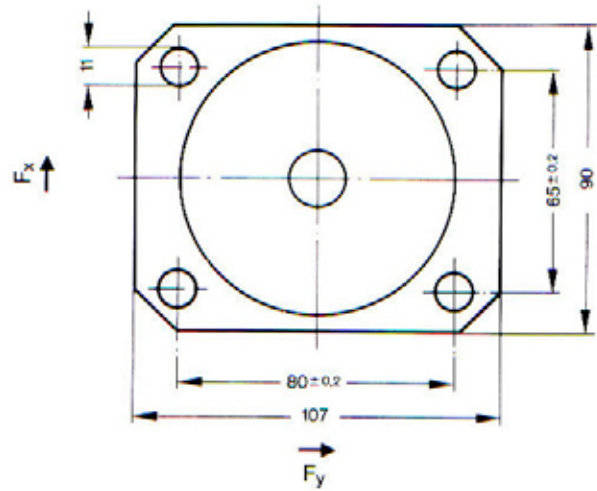
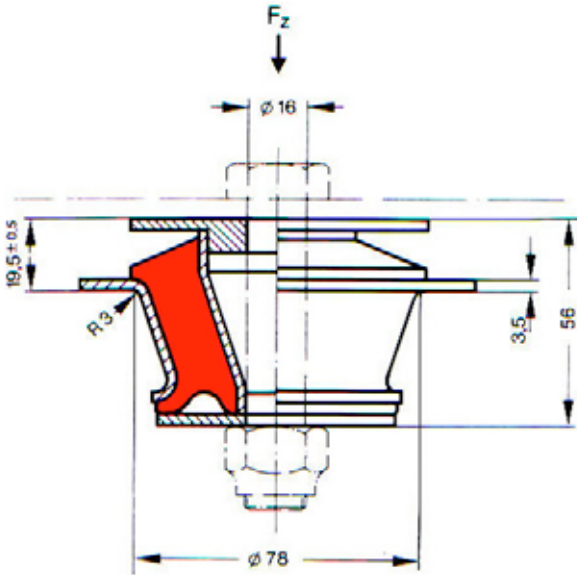
EURO-BEARINGS LTD

www.euro-bearings.com

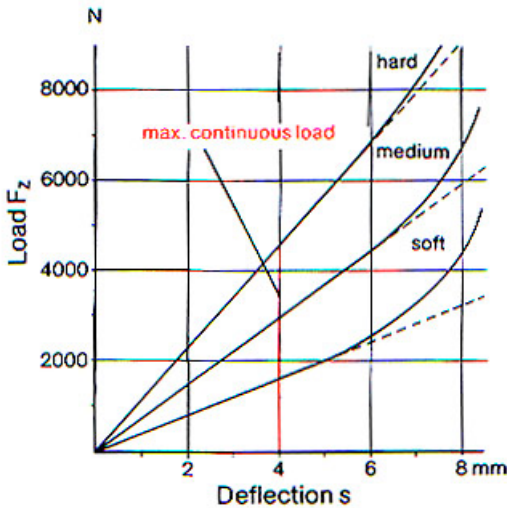
Tel. 01908 511733

CONE MOUNTS

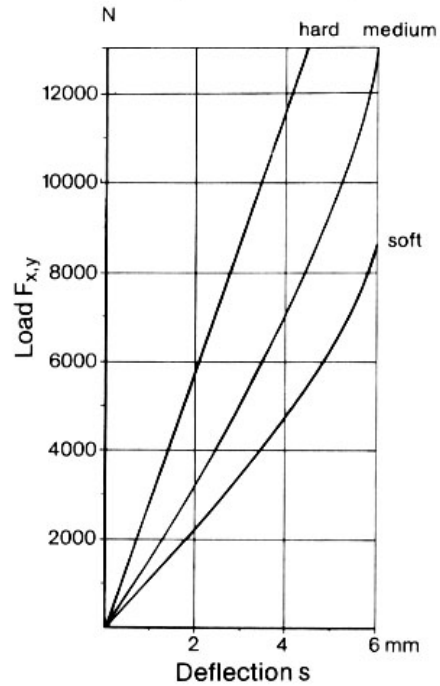
786026 S1



LOAD IN Z (VERTICAL) AXIS



LOAD IN XY (HORIZONTAL) AXIS



Permissible continuous static load F_z zul.
hard 4100 N. medium 2800 N. soft 1500 N

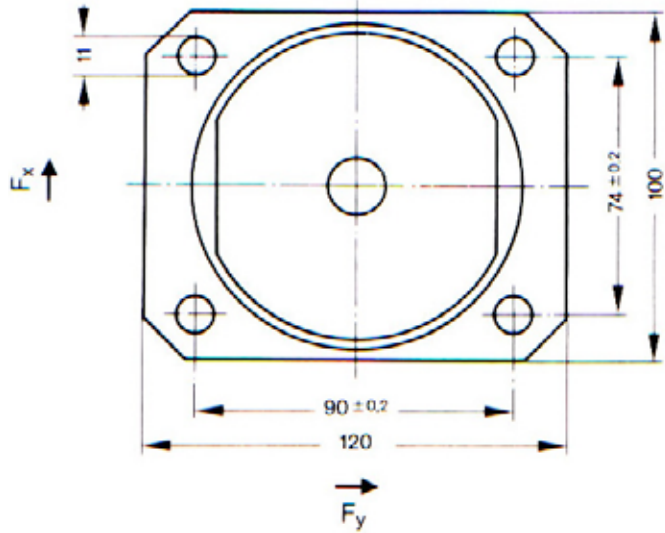
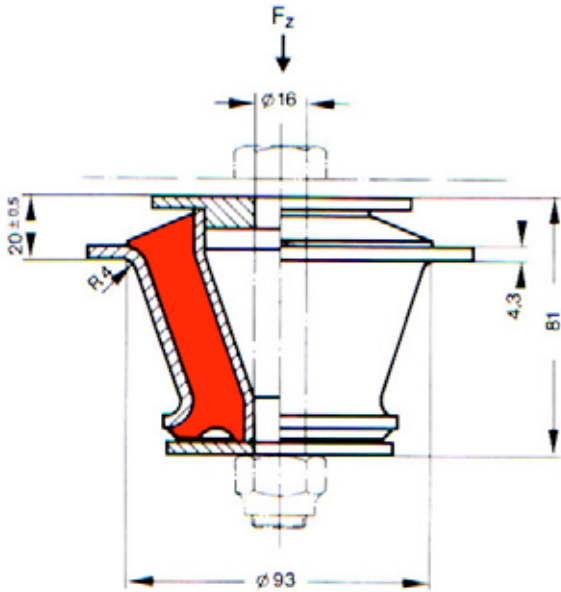
www.euro-bearings.com

Tel. 01908 511733

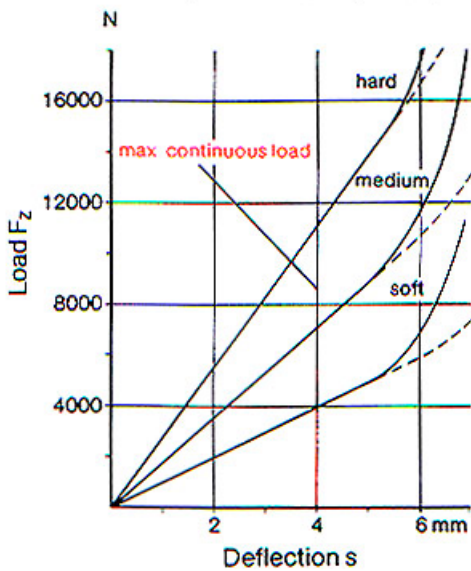
EURO-BEARINGS LTD

CONE MOUNTS

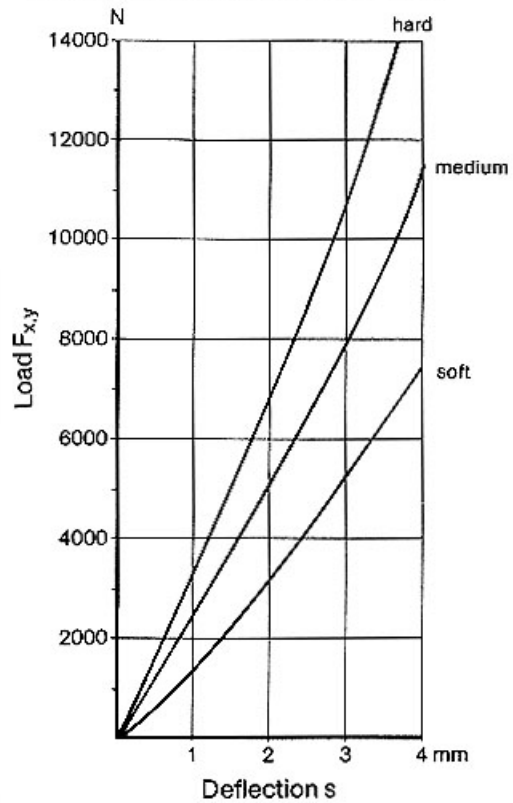
786027 S5



LOAD IN Z (VERTICAL) AXIS



LOAD IN XY (HORIZONTAL) AXIS



Permissible continuous static load F_z zul
 hard 9300 N. medium 6000 N. soft 3000 N

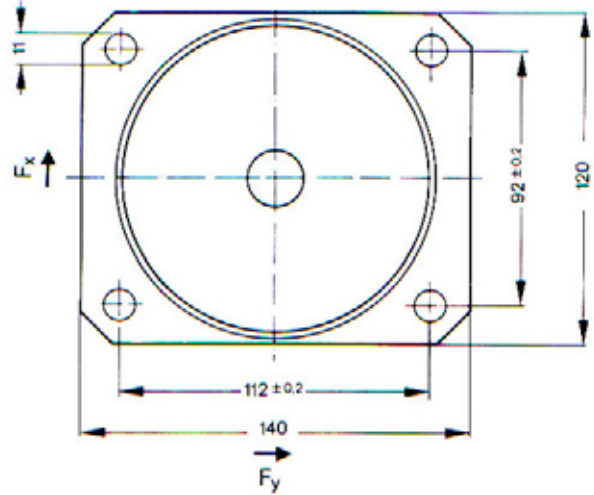
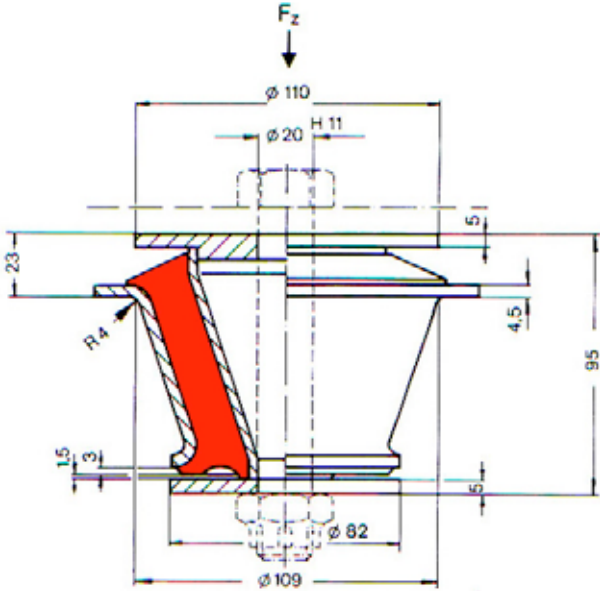
EURO-BEARINGS LTD

www.euro-bearings.com

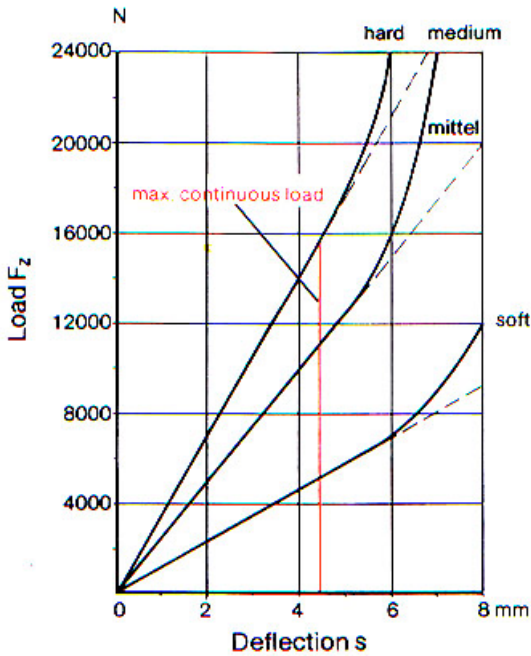
Tel. 01908 511733

CONE MOUNTS

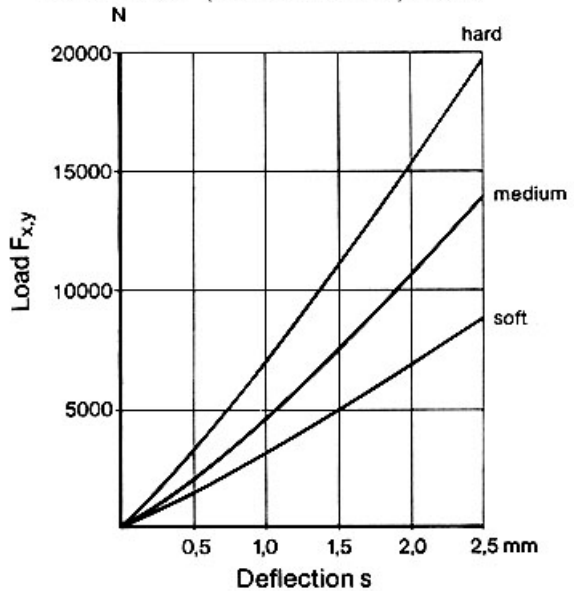
786030



LOAD IN Z (VERTICAL) AXIS



LOAD IN XY (HORIZONTAL) AXIS



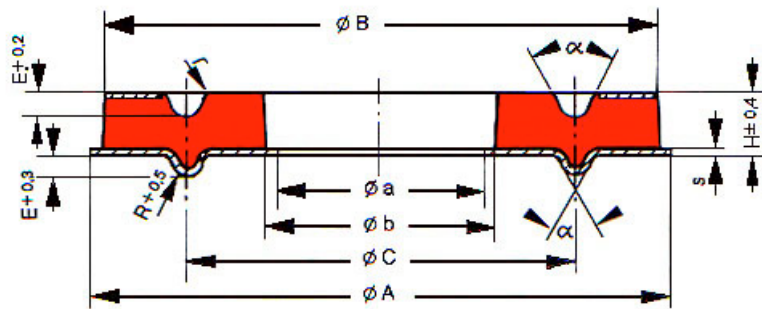
Permissible continuous static load F_z zul.
 hard 16700 N. medium 12000 N. soft 6500 N

EURO-BEARINGS LTD

www.euro-bearings.com

Tel. 01908 511733

MEGIFLEX DISCS



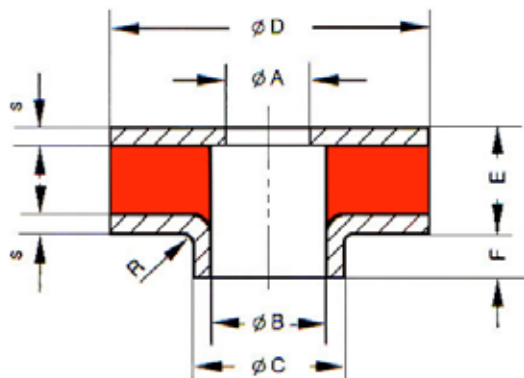
Part Number	A	a	B	b	C	H	s	E	R	r	Max Load (N)	Deflection (mm)
741473	65	26	62	30	46	11	1	2.5	2	0.5	6850	1.8
741481	95	45	90	50	70	10.5	1.5	2.5	2.5	1	7850	1.4
741444	100	35	90	40	64	27.5	1.5	3.5	3	1	9800	6.4
741401	110	30	102	38	76	20.8	1.75	3.5	3	1	13750	3.7
741493	110	40	102	44	76	15.8	1.75	3.5	3	1	14200	2.4
741488	130	55	123	60	90	16	2	5	4	2	17150	2.1
741472	153	55	145	60	102	30	2	5	4	2	29450	6.2
741432	164	60	156	64	110	23	2	4	4	2	33350	3.6
741436	210	95	200	100	154	20	2	6	6	1.2	45150	2.6
741434	240	70	230	76	154	25	2	6	5	2	60800	2.9

www.euro-bearings.com

Tel. 01908 511733

EURO-BEARINGS LTD

RING ELEMENTS



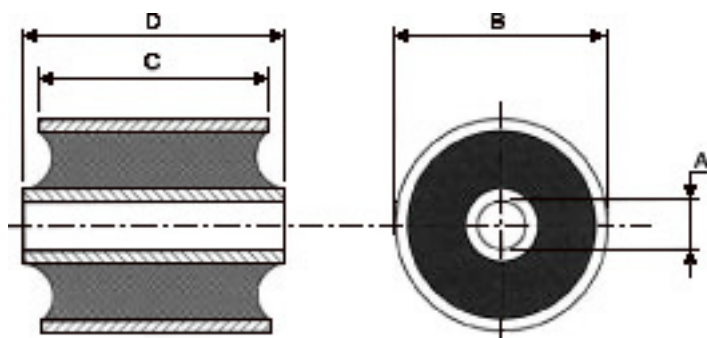
Part Number	A	a	B	b	C	H	s	E	R	r	Max Load (N)	Deflection (mm)
741473	65	26	62	30	46	11	1	2.5	2	0.5	6850	1.8
741481	95	45	90	50	70	10.5	1.5	2.5	2.5	1	7850	1.4
741444	100	35	90	40	64	27.5	1.5	3.5	3	1	9800	6.4
741401	110	30	102	38	76	20.8	1.75	3.5	3	1	13750	3.7
741493	110	40	102	44	76	15.8	1.75	3.5	3	1	14200	2.4
741488	130	55	123	60	90	16	2	5	4	2	17150	2.1
741472	153	55	145	60	102	30	2	5	4	2	29450	6.2
741432	164	60	156	64	110	23	2	4	4	2	33350	3.6
741436	210	95	200	100	154	20	2	6	6	1.2	45150	2.6
741434	240	70	230	76	154	25	2	6	5	2	60800	2.9

www.euro-bearings.com

Tel. 01908 511733

EURO-BEARINGS LTD

MEGI BUSHES



Part Number	Dimensions				Radial Load		Axial Load	
	A	B	C	D	Fr (N)	cr (N/mm)	Fa (N)	ca (N/mm)
735009 S2	10	24	14	17	200	491	160	103
735035	12	26	17.5	24	690	1962	680	226
735067	14	30	67	76	3920	8829	2310	765
735043	18	34	32	36	1570	3237	830	417
735022	20	45	59.5	62.5	3920	4905	910	608
735040	25	50	65.5	67.5	6380	6082	760	755
735078	30	55	89.5	94	13730	16677	2600	1177
735038	40	75	57	70	5890	4611	4510	697
735083	50	80	95	100	14720	14715	3430	1373

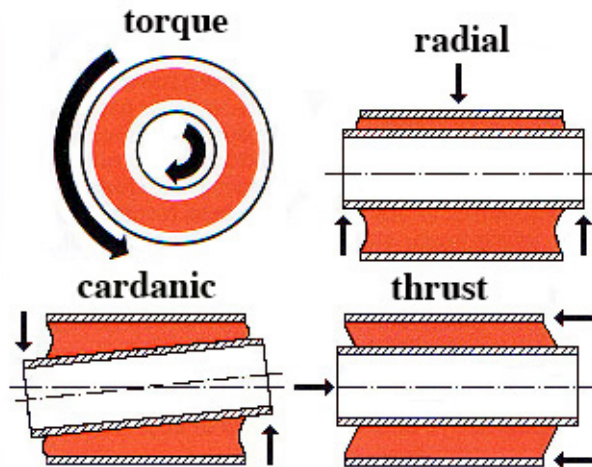
www.euro-bearings.com

Tel. 01908 511733

EURO-BEARINGS LTD

MEGI BUSHES

Types of deformation of Megi Bushes



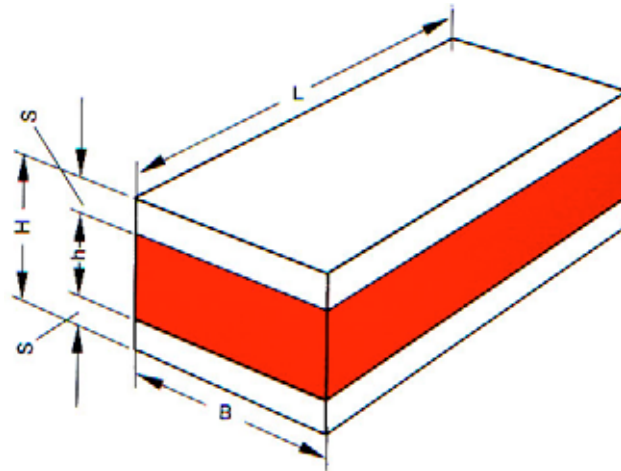
Part Number	Torsion				
	Max Static Loads		Spring Constant	Max Peak Loads	
	angle	Torque (Nm)	c (Nm/degree)	angle	Torque (Nm)
735009 S2	15	1.3	0.09	30	2.6
735035	13	4.4	0.338	26	9
735067	15	19	1.24	30	37
735043	14	12	0.9	28	25
735022	15	30	2	30	60
735040	15	60	3.9	30	120
735078	13	100	7.6	26	200
735038	14	130	9.1	28	260
735083	11	260	23.2	22	510

EURO-BEARINGS LTD

www.euro-bearings.com

Tel. 01908 511733

MEGI BARS



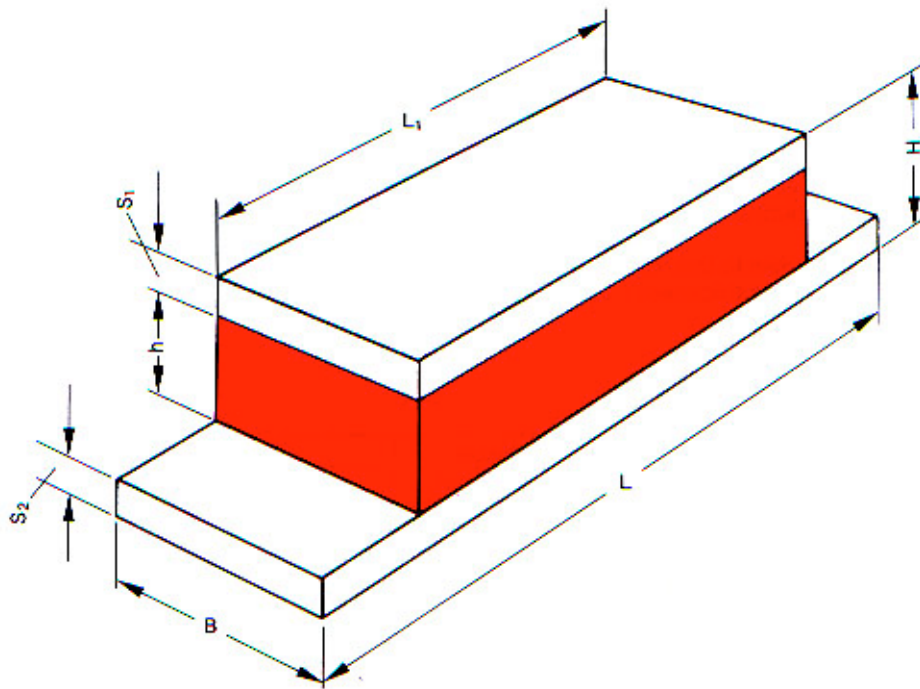
Part Number	B	H	h	s	Max length (mm)
781211	25	30	20	5	700
781212	40	35	19	8	700
781314	50	40	20	10	700
781315	50	50	30	10	700
781324	60	60	40	10	700
781330	70	50	30	10	700
781333	100	60	30	15	700
781334	100	80	50	15	700
781339	150	80	50	15	700

www.euro-bearings.com

Tel. 01908 511733

EURO-BEARINGS LTD

MEGI BARS (FLANGED)



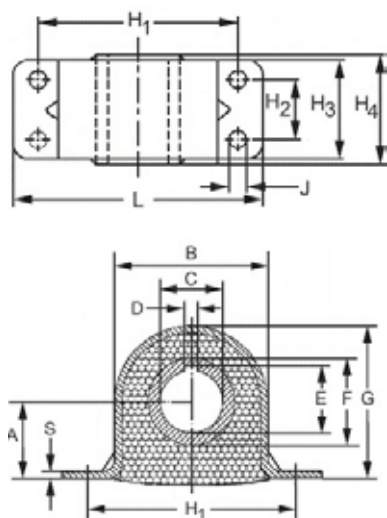
Part Number	Dimensions (mm)							Compression Loads		Shear Loads	
	B	H	h	s1	s2	L	L1	Spring rate (N/mm)	Max Load (kN)	Spring rate (N/mm)	Max Load (kN)
711023	50	40	20	5	8	200	150	4000	8	300	1.5
711025	50	40	20	8	8	270	220	7100	15	500	2
711019	100	60	30	10	15	480	360	18200	59	1000	7

www.euro-bearings.com

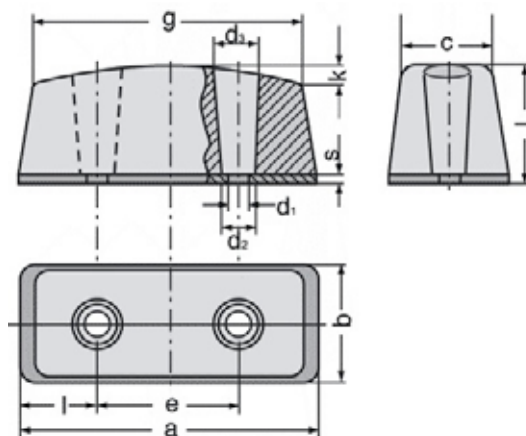
Tel. 01908 511733

EURO-BEARINGS LTD

HANGING MOUNTS (HM) & RECTANGULAR BUFFERS (RP)



Part Number	A	B	C	D	E	F	G	H ₁	H ₂	H ₃	H ₄	J	L	S
HM-25	27,5	62	25	6	27,5	35	58,5	85	24	40	45	8,5	108	3,5
HM-32	27,5	62	32	-	-	40	58,5	85	25	40	45	9	108	3,5



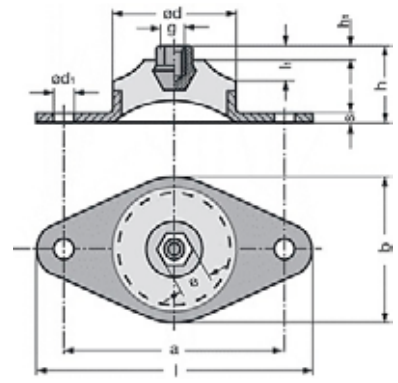
Part Number	a	b	d ₁	d ₂	d ₃	e	g	h	l	k	r ₁	r ₂	s	L
RP 35	80	40	7	11	15	45	75	45	17,5	5	4	150	4	35
RP 45	150	60	11,5	18	24	70	134	59	40	9	5	240	4	45
RP 80	200	100	13,5	21	28	90	168	100	55	12	10	300	4	80
RP 100	250	125	13,5	21	32	100	212	135	75	20	10	300	4	100

www.euro-bearings.com

Tel. 01908 511733

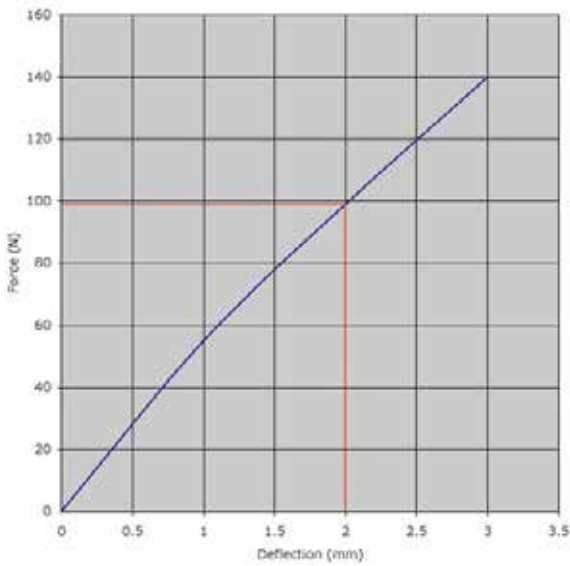
EURO-BEARINGS LTD

MINI MACHINE MOUNTS

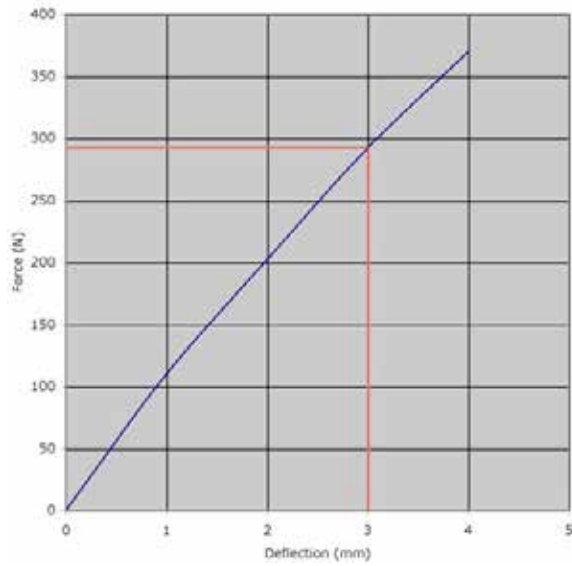


Part Number	d	b	h	l	a	d ₁	h ₁	g	l ₁	e	s
MINI30	30	35	20	60	45	6	5	6	6	11	1,5
MINI45	45	50	32	90	70	9	8	10	16	17	1,5
MINI70	70	80	50	140	105	13	13	16	17	24	2,0

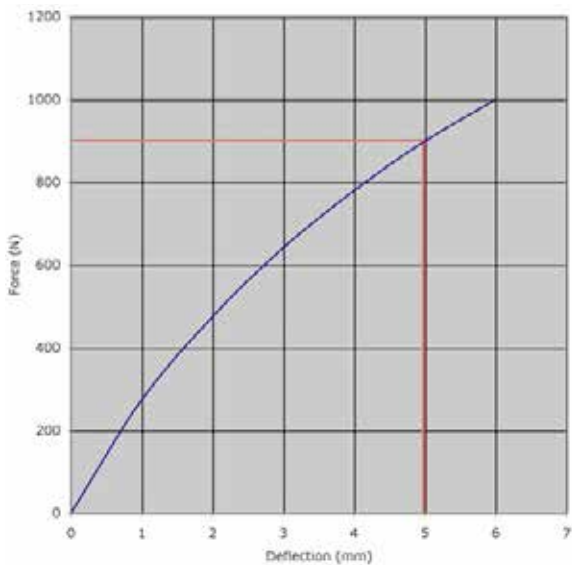
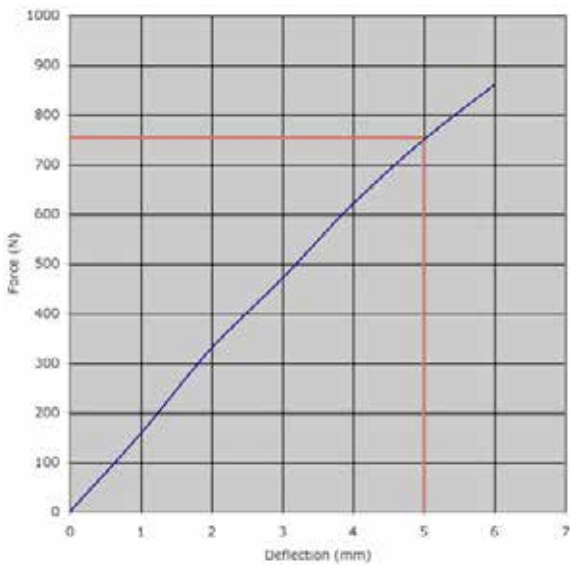
Load Data - red line indicates maximum continuous load



Mini 30 (55 shore)



Mini 45 (55 shore)



Mini 70 - medium (55 shore - left) & hard (65 shore)

www.euro-bearings.com

Tel. 01908 511733

EURO-BEARINGS LTD

Most of these products are available to buy online:

www.novibration.co.uk



For our full Anti-Vibration range please see:

www.euro-bearings.com



**NEED TECHNICAL ADVICE?
Contact Gerry, Kate or Matt**

Tel. 01908 511733

email: sales@euro-bearings.com

www.euro-bearings.com

EURO-BEARINGS LTD

29-31 Lodge Farm Business Centre

Wolverton Road

Castlethorpe

Milton Keynes

MK19 7ES